

LT1 Series — SignalLight™ Light Towers

Display Lights with a Tower of Advantages

Key features of the LT1 series SignalLight towers include:

- Custom configurations meet your specifications — simply
- Select your flash preference, lens colors, number of tiers, mounting style, and voltage
- Choice of LED or incandescent lamps

LED lamps provide over 100,000 hours of service life and are interchangeable with incandescent bulbs

Incandescent lamps (available up to 10 watts) are vibration-resistant and provide a 2,000 hour service life

- Replace the bulbs independently; no need to disassemble the entire unit
- Heat- and shock-resistant polycarbonate lenses
- Flashing models allow each lamp to be flashed or steady
- Choice of metallic base or cost-saving plastic base
- Color-coded wires make assembly and wiring easy
- Mounting options include base and pole mount

Display Lights




Base Mount



Pole Mount
(with "L" bracket)

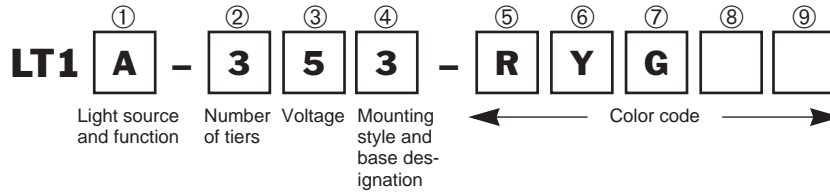


File No. E70646

Specifications	LT1A: Incandescent, Non-Flashing								
	LT1D: Incandescent, Flashing/Non-Flashing								
	LT1H: LED, Non-Flashing								
	LT1K: LED, Flashing/Non-Flashing								
	Nominal Voltage		12V AC/DC ±10%	24V AC/DC ±10%	120V AC ±10%	240V AC ±10%			
	Internal Fuse Rating		3.15A	3.15A	1A	1A			
	Lamp Rating	LED	12V AC/DC	24V AC/DC	120V AC	N/A			
		Incandescent	12V, 5W	30V, 10W	120V, 7W	240V, 10W			
	Current Required per Lamp	LED					N/A		
				Red	Green	Yellow		White	Blue
			12VDC	54mA	78mA	54mA		54mA	78mA
			24VDC	54mA	39mA	54mA		54mA	39mA
		120VAC	30mA	30mA	30mA	30mA	30mA		
		Incandescent	0.4A ±10%		0.3A ±10%		0.06A ±10%	0.05A ±10%	
	External Contact Capacity		5A	5A	2A	1A			
	In-Rush Current per Lamp	LED	Not applicable						
		Incandescent	Below 4.0A	Below 3.0A	Below 0.6A	Below 0.5A			
	Lamp Style	LED	BA15D lamp base						
		Incandescent	T20 glass bulb, BA15D lamp base						
	Lamp Life-Span	LED	100,000 hours (minimum)						
Incandescent		2,000 hours (average)							
Lens Colors		Red, Yellow, Green, Blue, White							
Lens Diameter		2.20" (56mm)							
Maximum Tiers		5							
Degree of Protection		IP20 (for indoor use only), NEMA1							
Flash Rate		LED: 45/minute ±10% (LT1K only) Incandescent: 80/minute ±10% (LT1D only)							
Insulation Resistance		More than 3MΩ by a DC 500V megger							
Voltage Resistance		1,500V AC for 1 minute							
Operating Range		-30 to +40°C (LT1A), -10 to +40°C (LT1D), 15 to 90% relative humidity							
Vibration Resistance		2.2G maximum							
Mounting		Base mount (three stud) Pole mount (horizontal or vertical surface) NPT mount (via adaptor) to 1/2" or 3/4" NPT conduit Install in an upright position							
Optional Pole Height		10.75" (273mm)							
Approvals		 File No. E70646							
Wire Size		Non-flashing (steady): 20 AWG Flashing: 18 AWG and 20 AWG							

Signalight™ Part Numbers (assembled)

Part Number Guide

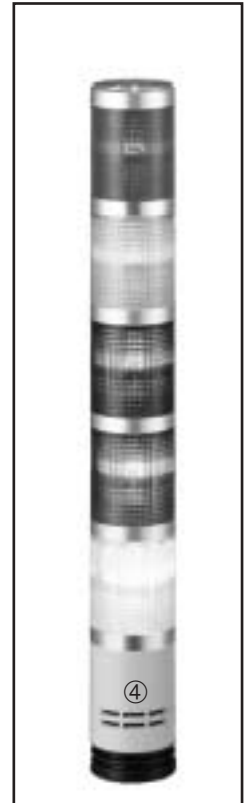


To determine the appropriate Signalight part number, use these numbered boxes in conjunction with the codes in the *Part Numbers: Assembled Parts* table below.

Display Lights

Part Numbers: Assembled Parts

Box No.	Description		Code
①	Light source and function	Non-flashing (steady), incandescent lamp	A
		Flashing/non-flashing, incandescent lamp	D
		Non-flashing (steady), LED lamp	H
		Flashing/non-flashing, LED lamp	K
②	Number of tiers	Maximum of 5 tiers	1 – 5
③	Voltage	12V AC/DC	1
		24V AC/DC	2
		120V AC	5
		240V AC (incandescent only)	8
④	Mounting style and base designation	Beige frame cover	1
		Metallic frame cover	2
		Beige frame cover, pole incl.	3
		Metallic frame cover, pole incl.	4
⑤ - ⑨	Color code	Red	R
		Yellow	Y
		Green	G
		Blue	S
		White	W



Specify lens color code from the lowest to the highest tier.







Examples: Assembled Parts

Part No.	Description
LT1A-354-RRR	Non-flashing incandescent, 3 tiers, 120V AC, pole-mount, metallic base, all Red lenses
LT1D-182-S	Flashing/non-flashing incandescent, 1 tier, 240V AC, base-mount, metallic base, Blue lens
LT1D-221-RS	Flashing/non-flashing incandescent, 2 tier, 24V AC/DC, base-mount, plastic base, Red and Blue lenses
LT1H-412-RGYW	Non-flashing LED, 4 tier, 12V AC/DC, base-mount, metallic base, Red, Green, Yellow, and White lenses
LT1K-554-GSRGR	Flashing/non-flashing LED, 5 tier, 120V AC, pole-mount, metallic base, Green, Blue, Red, Green, and Red lenses

SignalLight™ Part Numbers (sub-assembled)



Part Numbers: Sub-Assemblies

Description		Part No.	Notes	Examples
		LT1①-01②③*	① = Type A = Incandescent, non-flashing D = Incandescent, flashing/non-flashing H = LED, non-flashing K = LED, flashing/non-flashing ② = Number of tiers (1-5) ③ = Lamp voltage 1 = 12V AC/DC 2 = 24V AC/DC 5 = 120V AC 8 = 240V AC * = Frame cover (M = metallic, P = beige)	LT1A-0142M = Steady light, four tiers, 24V AC/DC, metallic base LT1D-0125P = Flashing light, two tiers, 120V AC, plastic base
		LT1X-08*	* = Color: R = Red, Y = Yellow, G = Green, S = Blue, W = White	LT1X-08G = Green lens
	12V AC/DC	LTXD-1*	* = Color: R = Red, Y = Yellow, G = Green, S = Blue, W = White	LTXD-1R = Red LED, 12V AC/DC
	24V AC/DC	LTXD-2*		LTXD-2S = Blue LED, 24V AC/DC
	120V AC	LTXD-120*		LTXD-120Y = Yellow LED, 120VAC
	12V AC/DC	B5-2		
	30V AC/DC	B5-31		
	120V AC	B5-1		
	240V AC	B5-4		
		LT1X-06		
		LT1Z-10		








Bill of Materials Quantities

Description	Quantity
Body frame	Required: 1 per unit
Lens(es)	Variable: from 1 – 5
Top cap	Required: 1 per unit
Lamps	Variable: from 1 – 5
Mounting pole	Optional: 1 per unit

Signalight™ Accessories

Display Lights

Part Numbers: Accessories/Replacement Parts

Description	Part No.	Remarks
LED Lamp 	LTXD-1 ②	12V AC/DC See chart for available colors
	LTXD-2 ②	24V AC/DC See chart for available colors
	LTXD-120 ②	120V AC See chart for available colors
Incandescent Lamp 	B5-2	12V AC/DC, 5W
	B5-31	30V, 10W (for use with 24V AC/DC)
	B5-1	120V AC, 7W
	B5-4	240V AC, 10W
Lens 	LT1X-08 ②	See chart for available colors
Top Cover 	LT1X-06	Clear polycarbonate
Mounting Pole 	LT1Z-10	Chrome-plated steel supplied with "L" bracket and two M22 x 1.5 hexagonal nuts
Pole Mounting Fixture 	LT1Z-11	Aluminum fixture for mounting pole-mounted units to horizontal surface; not included with assembled Signalight units
NPT Pole Adaptors 	LT1Z-NPT50	1/2" NPT pole adaptor; not included with assembled Signalight units
	LT1Z-NPT75	3/4" NPT pole adaptor; not included with assembled Signalight units

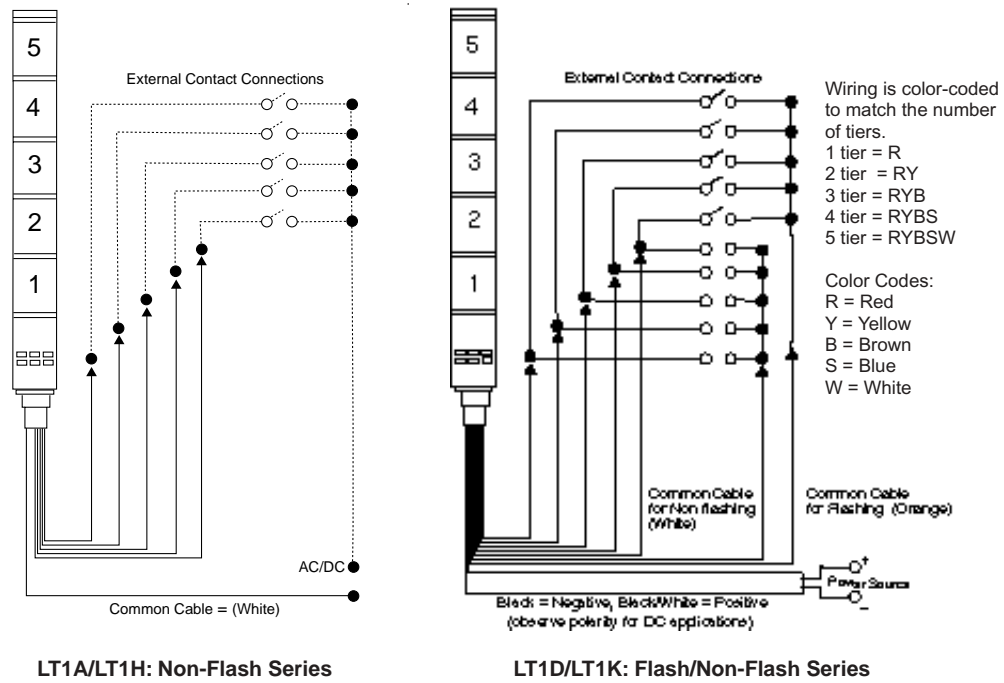
②Lens/LED Color Code

Color	Code
Amber	A
Green	G
Red	R
Blue	S
White	W
Yellow	Y



In place of ② specify lens/LED color code from chart at right.

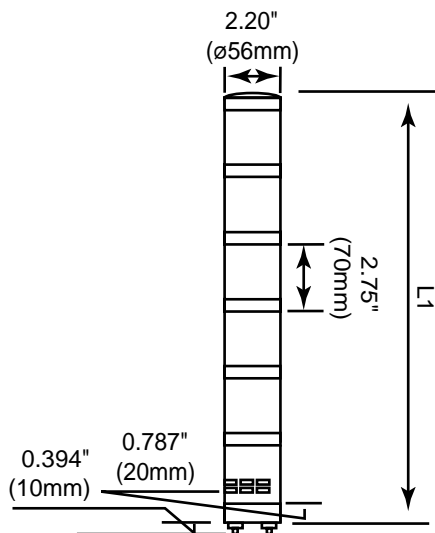
Signalight™ Wiring



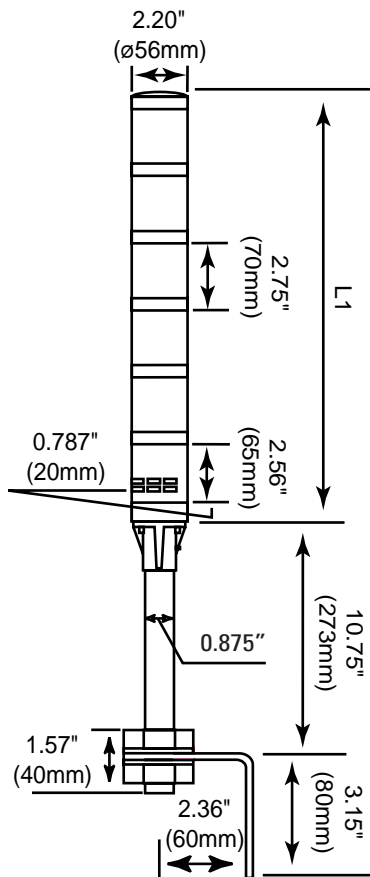
Display Lights

Signalight Dimensions

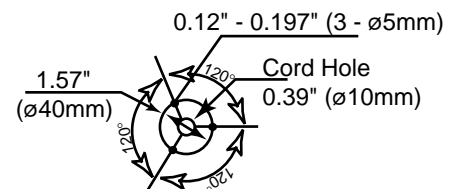
Assembled Base Mount



Assembled Pole Mount



Mounting Hole Layout: Base Mounting Style

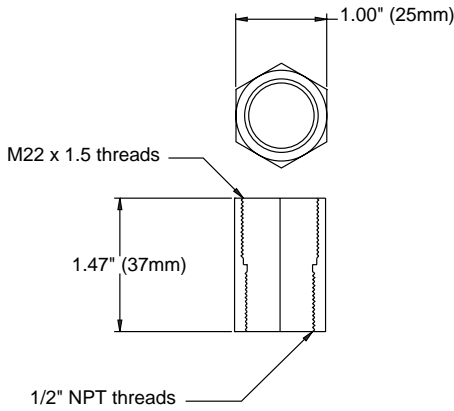


Number of Tiers	L1
1	6.7" (170mm)
2	9.4" (1240mm)
3	12.2" (310mm)
4	15.0" (380mm)
5	17.7" (450mm)

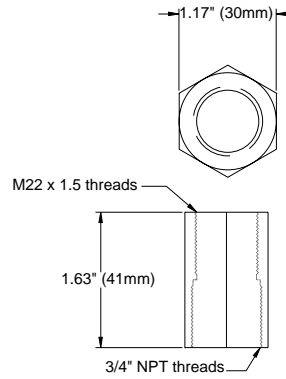
Signalight Dimensions, continued

Adapter

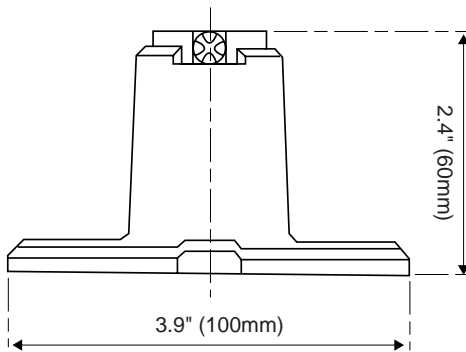
LT1Z-NPT50



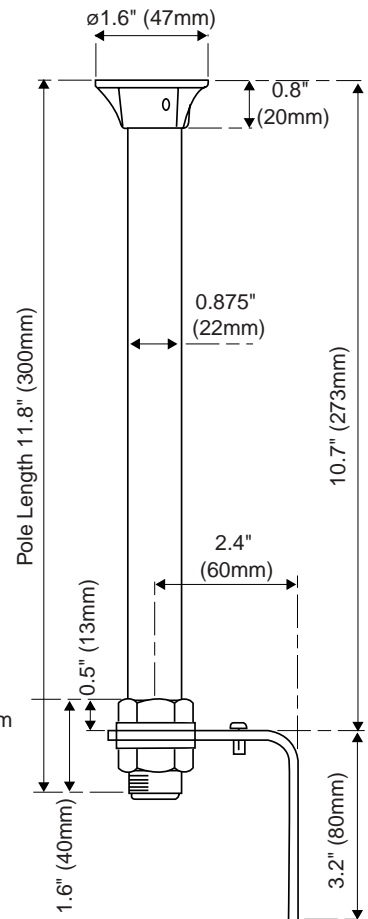
LT1Z-NPT75



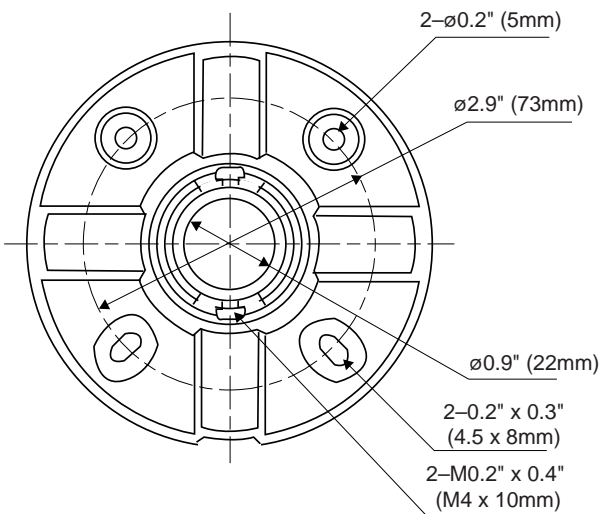
Optional Pole Mounting Base: Side View (LT1Z-11)



Mounting Pole (LT1Z-10)



Optional Pole Mounting Base: Bottom View



Mounting Bracket (provided with mounting pole)

